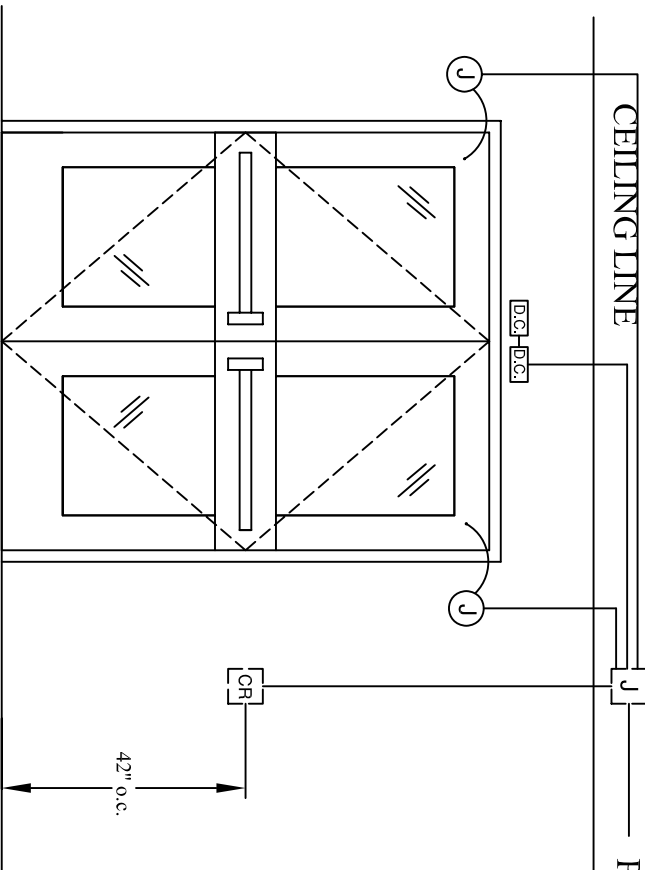


KEY
PAIR
STORE FRONT
PANIC HARDWARE
EXPOSED

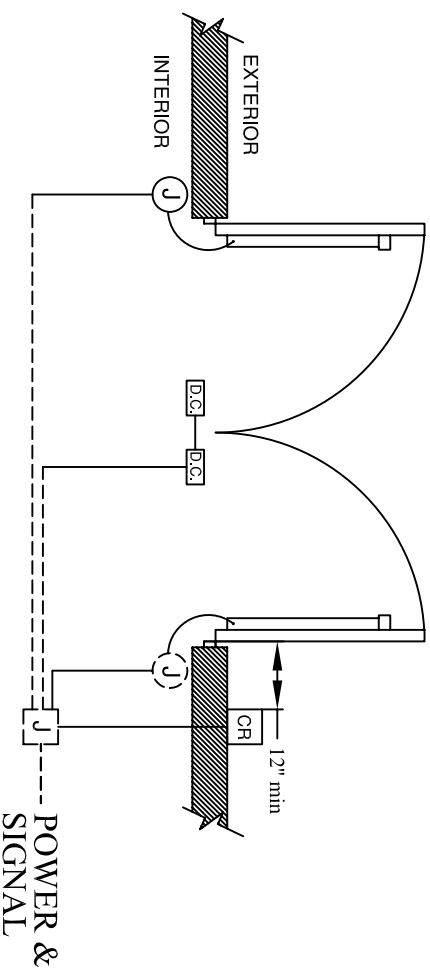
CEILING LINE

POWER & SIGNAL



LEGEND

Ⓧ	4\"/>
Ⓧ	4 1/16\"/>
CR	CARD READER W/ 4\"/>
—	3/4\"/>
Ⓧ	DOOR CONTACT



ALL EXPOSED CONDUIT TO BE
WIRE MOULD.

PAIR OF STORE FRONT (ALUM, STEEL) - PANIC HARDWARE - EXPOSED POWER & SIGNAL

TYPICAL

P-SF-PH-EX

SHEET TITLE:

PAIR OF STORE FRONT

FILE NAME:
Pair-Store Front.dwg

SHEET NO:

16

PROJECT TITLE:

DOOR DETAILS, ACCESS CONTROL SYSTEM, SDSU

DRAWN BY:

C Phillips

ISSUED:

07.26.07